

## General Description

The Gotop GT-1612-MTGG is a complete GPS&Glonass&Galileo engine module that features super sensitivity, ultra low power and small form factor. The GPS&Glonass&Galileo signal is applied to the antenna input of module, and a complete serial data message with position, velocity and time information is presented at the serial interface with NMEA protocol or custom protocol.

Its  $-165\text{dBm}$  tracking sensitivity extends positioning coverage into place like urban canyons and dense foliage environment where the GPS&Glonass&Galileo was not possible before. The small form factor and low power consumption make the module easy to integrate into portable device like PNDs, mobile phones, cameras and vehicle navigation systems.

### Applications

- LBS (Location Based Service)
- PND (Portable Navigation Device)
- Vehicle navigation system
- Mobile phone



**Figure: GT-1612-MTGG Top View**

### Features

- Build on high performance, low-power MediaTek MT3333 chip set
- Ultra high Track sensitivity:  $-165\text{dBm}$
- Extremely fast TTFF at low signal level
- Built in high gain LNA
- Low power consumption: Max  $45\text{mA}@3.3\text{V}$
- NMEA-0183 compliant protocol or custom protocol
- Operating voltage:  $2.8\text{V}$  to  $4.3\text{V}$
- Operating temperature range:  $-40$  to  $85^\circ\text{C}$
- SMD type with stamp holes
- Small form factor:  $16\times 12\times 2.6\text{mm}$
- RoHS compliant (Lead-free)

# 1 Description

## 1.1 General Description

GOTOP GT-1612-MTGG GPS&Glonass&Galileo module embedded LNA brings high performance of MTK positioning engine to the industrial applications. It is able to achieve the industry ' s highest level of sensitivity, accuracy and TTFF with the lowest power consumption in a small-footprint leadless package. With 66 search channels and 22 simultaneous tracking channels, it acquires and tracks satellites in the shortest time even at indoor signal level. The embedded flash memory provides capacity for users to store some useful navigation data and allows for future updates.

GT-1612-MTGG module combines many advanced features including EASY, AIC, LOCUS, AlwaysLocate™, FLP, Antenna Supervisor and so on. These features are beneficial to accelerate TTFF, improve sensitivity, save consumption and detect antenna status for GPS&Glonass&Galileo system. The module supports various positioning, navigation and industrial applications including autonomous GPS, GLONASS, Galileo, SBAS (including WAAS, EGNOS, MSAS, and GAGAN), QZSS, and AGNSS.

GT-1612-MTGG but also supports external active antenna detection and short protection. The detection and notification of different external active antenna status will be shown in the NMEA message including external active antenna connection, open circuit for antenna and antenna shortage. So host can query the external active antenna status timely and conveniently.

EASY technology as the key feature of GT-1612-MTGG is one kind of AGNSS. Capable collecting and processing all internal aiding information like GPS&Glonass&Galileo time , Ephemeris, Last Position, etc., the GPS&Glonass&Galileo module delivers a very short TTFF in either Hot or Warm start.

GT-1612-MTGG module is a SMD type module with the compact 16mm×12mm×2.6mm form factor. It can be through the 24-pin pads embedded in your applications. It provides necessary hardware interfaces for connection with the main PCB.

Made of lead-free technology, conforms to the RoHS standard, Single patch, two times more rapid application of SMT scheme

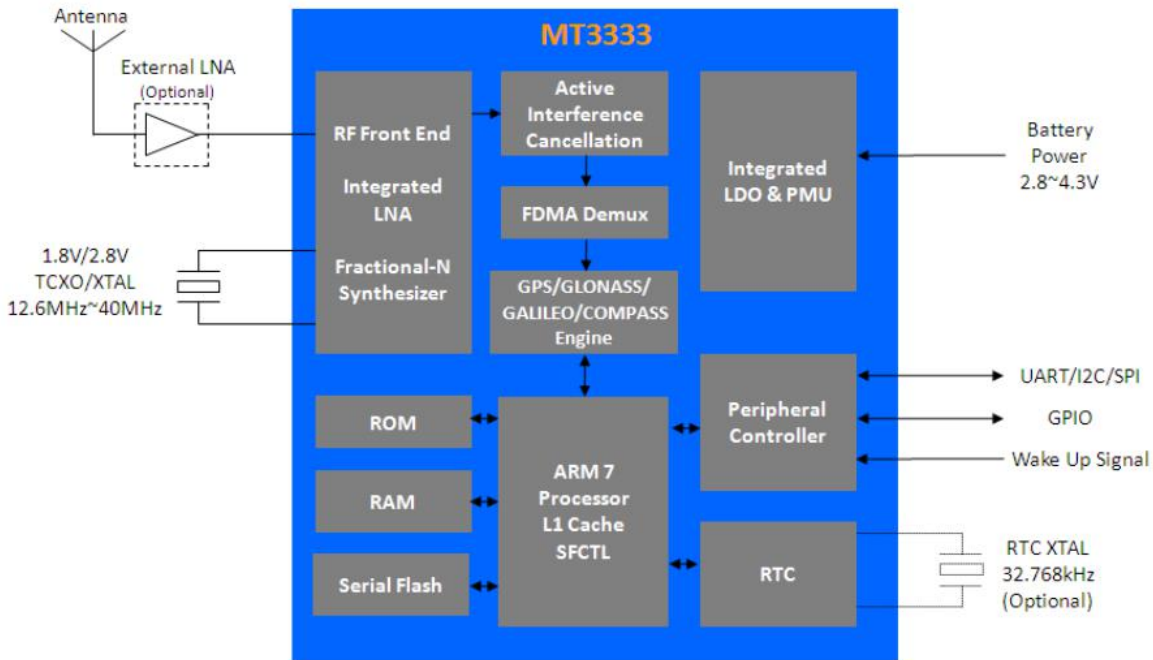
## 1.2. Key Features

**Table 1: Key Features**

Parameter	Specification
Power Supply	<ul style="list-style-type: none"> <li>Supply voltage: 2.8V~4.3V Typical: 3.3V</li> </ul>
Power Consumption	<ul style="list-style-type: none"> <li>Acquisition: 45mA @VCC=V_BCKP=3.3V</li> <li>Tracking: 40mA @VCC=V_BCKP=3.3V</li> <li>Standby: 2.0mA @VCC=V_BCKP=3.3V</li> <li>Backup: 20uA @V_BCKP=3.3V</li> </ul>
Receiver Type	<ul style="list-style-type: none"> <li>Code 66 search channels, 22 synchronous tracking channels</li> <li>GPS&amp;&amp;QZSS L1 1575.42MHz C/A , GLONASS L1OF 1602MHz</li> <li>SBAS: WAAS, EGNOS, MSAS, GAGAN</li> </ul>
Sensitivity	<ul style="list-style-type: none"> <li>Tracking: -165dBm</li> <li>Re-acquisition: -156dBm</li> <li>Acquisition: -148dBm</li> </ul>
TTF (EASY enabled)	<ul style="list-style-type: none"> <li>Cold start: 15s typ @-130dBm</li> <li>Warm start: 5s typ @-130dBm</li> <li>Hot start : 1s typ @-130dBm</li> </ul>
TTF (EASY disabled)	<ul style="list-style-type: none"> <li>Cold start(Autonomous): 35s typ @-130dBm</li> <li>Warm start (Autonomous): 30s typ @-130dBm</li> <li>Hot start (Autonomous): 1s typ @-130dBm</li> </ul>
Horizontal Position Accuracy (Autonomous)	<ul style="list-style-type: none"> <li>&lt;2.5m CEP @-130 dBm</li> </ul>
Max Update Rate	<ul style="list-style-type: none"> <li>Up to 10Hz,1Hz by fault</li> </ul>
Accuracy of 1PPS Signal	<ul style="list-style-type: none"> <li>Typical accuracy: ±10ns</li> <li>Time pulse width 100ms</li> </ul>
Acceleration Accuracy	<ul style="list-style-type: none"> <li>Without aid: 0.1m/s<sup>2</sup></li> </ul>
Dynamic Performance	<ul style="list-style-type: none"> <li>Maximum altitude: 18,000m</li> <li>Maximum velocity: 515m/s</li> <li>Acceleration: 4G</li> </ul>
UART Port	<ul style="list-style-type: none"> <li>UART Port: TXD and RXD</li> <li>Supports baud rate from 4800bps to 115200bps, 9600bps by default</li> <li>UART port is used for NMEA output,MTK proprietary commands input and firmware upgrade</li> </ul>
Temperature Range	<ul style="list-style-type: none"> <li>Normal operation: -40°C ~ +85°C</li> <li>Storage temperature: -45°C ~ +125°C</li> </ul>
Physical Characteristics	<ul style="list-style-type: none"> <li>Size: 16±0.15 × 12±0.15 × 2.6±0.1mm</li> <li>Weight: Approx. 0.92g</li> </ul>

### 1.3. Block Diagram

The following figure shows a block diagram of GT-1612-MTGG module. It consists of a single chip GNSS IC which includes the RF part and Baseband part, a LNA, a SAW filter, a TCXO, a crystal oscillator.



**Figure 1:** Block Diagram

### 1.4. Protocols Supported by the Module

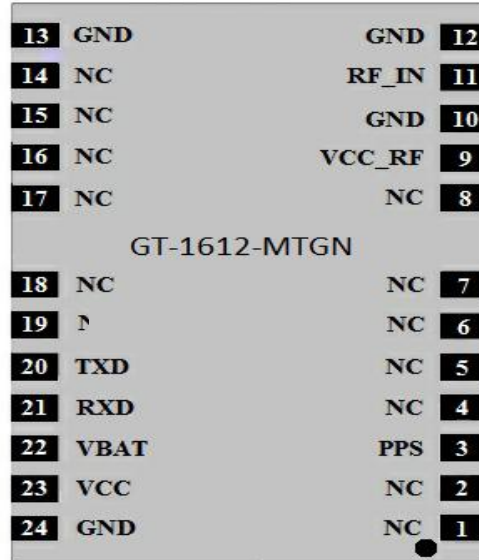
**Table 2: Protocols Supported by the Module**

Protocol	Type
NMEA	Output, ASCII, 0183, 3.01
PMTK	Input, MTK proprietary protocol

## 2 Application

The module is equipped with a 24-pin SMT pad that connects to your application platform. Sub-interfaces included in the pad are described in details in the following chapters.

### 2.1. Pin Assignment



**Figure 2: Pin Assignment**

### 2.2. Pin Definition

Power Supply					
Pin Name	Pin No.	I/O	Description	DC Characteristics	Comment
VCC	23	I	Main power supply	Vmax=4.3V Vmin=2.8V Vnom=3.3V	Supply current not less than 100mA.
VBAT	22	I	Backup power supply	Vmax=4.3V Vmin=1.5V Vnom=3.3V	Supply power for RTC domain. The VBAT pin can be directly supplied power by battery or connect it to VCC.
GND	10.12. 13.24	G	Ground.		Assure a good GND connection to all GND pins of the module, preferably with a large ground plane.

**UART Port**

Pin Name	Pin No.	I/O	Description	DC Characteristics	Comment
RXD	21	I	Receive data	VILmin=-0.3V VILmax=0.8V VIHmin=2.0V VIHmax=3.6V	
TXD	20	O	Transmit data	VOLmin=-0.3V VOLmax=0.4V VOHmin=2.4V VOHmax=3.1V	

**RF Interface**

Pin Name	Pin No.	I/O	Description	DC Characteristics	Comment
RF_IN	11	I	External active antenna RF input		Characteristic impedance of 50Ω
VCC_RF	9	O	Active antenna power output	Vnom=3.3V	Output Voltage RF section. VCC_RF can be selected according to the type of antenna.

**Other Interfaces**

Pin Name	Pin No.	I/O	Description	DC Characteristics	Comment
PPS	3	O	One pulse per second	VOLmin=-0.3V VOLmax=0.4V VOHmin=2.4V VOHmax=3.1V	Synchronized at rising edge, the pulse width is 100ms. If unused, keep this pin open.

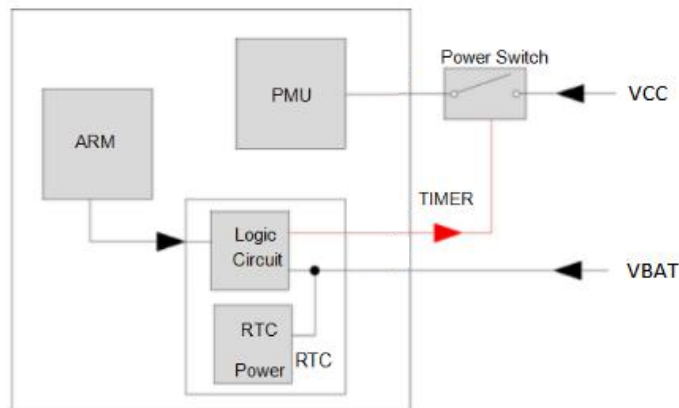
**2.3. Power Supply**

VCC pin supplies power for BB, RF, I/O, LNA, short protection and antenna detection circuit. The load current of VCC varies according to the VCC level, processor load, the number of tracked satellites and the rate of satellite re-acquisition. Using external active antenna will consume additional 11mA from our module. So it is important to supply sufficient current and make the power clean and stable. VCC supply ripple voltage should meet the requirement: 54mV (RMS) max @f=0…3MHz and 15mV (RMS) max@f >3MHz. You should choose the LDO without built-in output high-speed discharge function to keep long output voltage drop-down period. The decouple combination of 10uF and 100nF capacitor is recommended nearby VCC pin.

The VBAT pin supplies power for RTC domain. It should be valid when power on the module. The voltage of RTC domain ranges from 1.5V to 4.3V. In order to achieve a better TTFF, RTC domain should be valid all the time. It can supply power for SRAM memory in RTC domain which contains all the necessary GPS&Glonass&Galileo information for quick start-up and a small amount of user configuration variables.

✧ The module's internal power construction is shown as below.

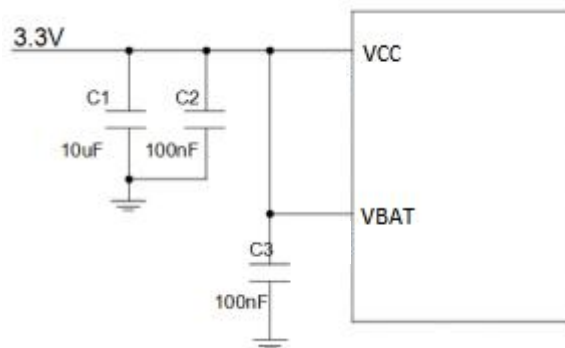
VCC supplies power for PMU, and VBAT supplies power for RTC domain. TIMER signal highlighted in red in the following figure belongs to RTC domain and can be used to control the power switch on/off.



**Figure 3:** Internal Power Construction

✧ Power supply solutions for GT-1612-MTGG module are listed as the following.

The simplest power circuit for GT-1612-MTGG module is 3.3V power source connected to VCC pin and VBAT pin of the module directly. In this case, once you powered on the module, the full cold start will be implemented.



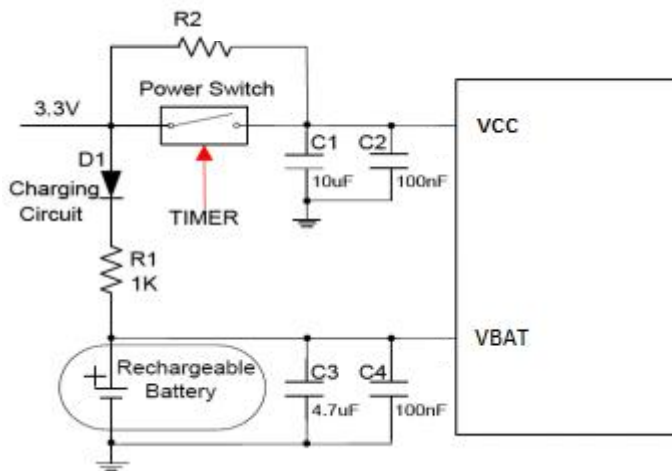
**Figure 4:** Reference Circuit for Power Supply

If your power supply circuit adopts the design mentioned above, GT-1612-MTGG module does not support EASY technology and backup mode as well as other modes related to it, e.g. AlwaysLocate™ backup mode.

The other way is feeding VBAT through a backup battery directly. The module will enter into backup mode when power source (3.3V) is cut off. Furthermore, it is necessary to add an external charging circuit for rechargeable battery. The detailed schematic (mount R2 with 0R to replace Power switch) is shown as there is no charge source when power source (3.3V) is cut off. MS621FE FL11E from Seiko is recommended. The consumption of VBAT is as low as 20uA in backup mode.

The schematic with power supply circuit is shown as below. As power source (3.3V) is always valid and the battery is charged continuously, the capacity of the battery can be small. The detailed schematic for power switch circuit is shown in *Figure 5*.

For more details about backup mode, periodic backup mode and AlwaysLocate™ backup mode, please refer to the related chapters.



**Figure 5:** Reference Charging Circuit for Chargeable Battery

VCC does not supply power for RTC domain in GT-1612-MTGG module, so the VBAT pin must be powered externally. Furthermore, it is strongly recommended to supply power to VBAT through a backup battery, which can ensure GT-1612-MTGG module supports EASY technology and improves TTFF after next restart. For details about TTFF, please refer to *chapter 1.2*.



## 2.4. Operating Modes

The table below briefly illustrates the relationship among different operating modes of GT-1612-MTGG module.

**Table 3: Module States Switch**

Current Mode	Next Mode					
	Backup	Standby	Full on	Periodic	AlwaysLocate	FLP
Backup	N/A	N/A	Refer to <i>chapter 2.4.3</i>	N/A	N/A	N/A
Standby	N/A	N/A	Send any data via UART	N/A	N/A	N/A
Full on	Refer to <i>chapter 2.4.3</i>	PMTK161	N/A	PMTK225	PMTK225	PMTK262
Periodic	N/A	N/A	Refer to <i>chapter 2.4.4</i>	N/A	N/A	N/A
Always Locate	N/A	N/A	Refer to <i>chapter 2.4.5</i>	N/A	N/A	N/A
FLP	N/A	N/A	Refer to <i>chapter 2.4.6</i>	N/A	N/A	N/A

### 2.4.1. Full on Mode

Full on mode includes tracking mode and acquisition mode. Acquisition mode is defined as the module starts to search satellites, determine visible satellites and coarse carrier frequency as well as code phase of satellite signals. When the acquisition is completed, it switches to tracking mode automatically. Tracking mode is defined as the module keeps tracking satellites and demodulates the navigation data from the specific satellites.

When the combination of VCC and VBAT is valid, the module will enter into full on mode automatically and follow the default configurations as below. You can refer to *chapter 2.3* about internal power construction to have a good comprehension. You can also use PMTK commands to change the configurations to satisfy your requirements.

**Table 4: Default Configurations**

Item	Configuration	Comment
Baud Rate	9600bps	Can be configured as 4800bps~115200bps
Protocol	NMEA	RMC, VTG, GGA, GSA, GSV, GLL and GPTXT (MTK proprietary protocol)
Update Rate	1Hz	Can be configured as 1~10Hz
SBAS	Enable	
AIC	Enable	
LOCUS	Disable	
EASY	Enable	EASY will be disabled automatically when update rate exceeds 1Hz.

### 2.4.2. Standby Mode

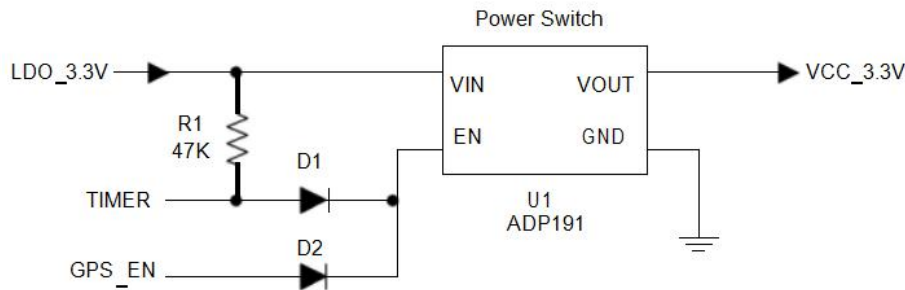
Standby mode is a low-power consumption mode. In standby mode, the internal core and I/O power domain are still active, but RF and TCXO are powered off, and the module stops satellites search and navigation. UART is still accessible through PMTK commands or any other data, but there is no NMEA messages output.

Sending PMTK command “\$PMTK161,0\*28” will make GT-1612-MTGG module enter into standby mode. Sending any data via UART can wake the module up. When the module exits from standby mode, it will use all internal aiding information like GPS&Glonass&Galileo time, Ephemeris, Last Position, etc., resulting to the fastest possible TTFF in either Hot or Warm start. The typical standby current consumption in this way is about 1mA @VCC=3.3V.

- ✧ When the external active antenna is used, an additional 11mA will be consumed because the VCC still supplies power for external active antenna in standby mode.

### 2.4.3. Backup Mode

Backup mode consumes lower power than standby mode. In this mode, only the backup supply VBAT is powered on while the main supply VCC is switched off by host or the TIMER signal of GT-1612-MTGG. In order to enter into backup mode autonomously via the TIMER pin, an external switch circuit is necessary. The following figure has shown a typical reference design about the switch circuit for TIMER.



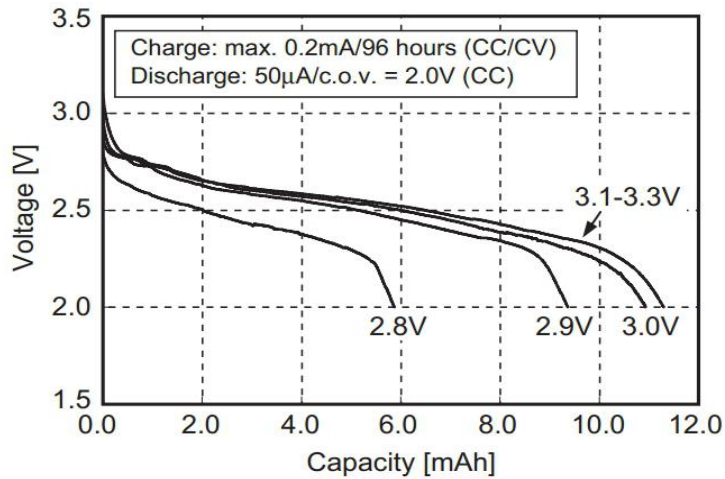
**Figure 6:** The External Switch Circuit for TIMER

- ✧ U1 is an integrated power switch component. The part number ADP191 is recommended. U1 also can be replaced by discrete components.
- ✧ TIMER pin also can be used to control the EN pin of a LDO.
- ✧ TIMER and GPS\_EN signals form an “OR” logic via the Schottky diodes D1 and D2. GPS\_EN is a GPIO signal coming from the host.
- ✧ TIMER is an open drain output signal. When TIMER pin is used, please pull it high by using an external resistor. R1 is the pull-up resistor for TIMER signal.

Keeping GPS\_EN signal low and sending PMTK command“\$PMTK225,4\*2F” will make GT-1612-MTGG module enter into backup mode forever. When this command is executed successfully, TIMER signal will be pulled down to close the power switch, so GT-1612-MTGG module can go into backup mode as the main power VCC is cut off. For this case, pulling the GPS\_EN signal high by host is the only way to wake the module up.

In backup mode, GT-1612-MTGG module stops to acquire and track satellites. UART is not accessible. But the backed-up memory in RTC domain which contains all the necessary GPS&Glonass&Galileo information for quick start up and a small amount of user configuration variables is alive. Due to the backed up memory, EASY technology is available. The typical consumption in backup mode can be as low as 20uA.

As the main power supply for VBAT pin is battery. Coin-type rechargeable capacitor such as MS920SE from Seiko can be used and Schottky diode such as RB520S30T1G from ON Semiconductor is recommended to be used here for its low voltage drop.



**Figure 7:** Seiko MS920SE Charge and Discharge Characteristics

#### 2.4.4. Periodic Mode

Periodic mode is a power saving mode of GT-1612-MTGG that can control the full on mode and standby/backup mode periodically to reduce power consumption. It contains periodic standby mode and periodic backup mode.

✧ The format of the command which enables the module to enter into periodic mode is as follows:

**Table 5: PMTK Command Format**

#### Example

```
$PMTK225,1,3000,12000,18000,72000*16<CR><LF>
$PMTK225,2,3000,12000,18000,72000*15<CR><LF>
```

<b>Format:</b>		
\$PMTK225,<Type>,<Run_time>,<Sleep_time>,<2nd_run_time>,<2nd_sleep_time>*<checksum> <CR><LF>		
<b>Parameter</b>	<b>Format</b>	<b>Description</b>
Type	Decimal	Type=1 for Periodic Backup Mode Type=2 for Periodic Standby Mode
Run_time	Decimal	Full on mode period (ms)
Sleep_time	Decimal	Standby/Backup mode period (ms)

2nd_run_time	Decimal	Full on mode period (ms) for extended acquisition in case GPS&Glonass&Galileo module's acquisition fails during the Run_time
2nd_sleep_time	Decimal	Standby/Backup mode period (ms) for extended sleep in case GPS&Glonass&Galileo module's acquisition fails during the Run_time
Checksum	Hexadecimal	Hexadecimal checksum

Sending "\$PMTK225,0\*2B" in any time will make the module enter into full on mode from periodic standby mode.

Sending "\$PMTK225,0\*2B" just in **Run\_time** or **2nd\_run\_time** can make the module enter into full on mode from periodic backup mode.

- ✧ The precondition is that the external switch circuit supports periodic backup mode. For details, please refer to *chapter 2.4.3*.
- ✧ Before entering into periodic backup mode, please ensure the GPS\_EN signal is low and power supply for VBAT is alive.

The following figure has shown the operation of periodic mode. When you send PMTK command, the module will be in the full on mode firstly. After several minutes, the module will enter into the periodic mode and follow the parameters set by you. When the module fails to fix the position in **run\_time**, the module will switch to **2nd\_run\_time** and **2nd\_sleep\_time** automatically. As long as the module fixes the position again, the module will return to **Run\_time** and **Sleep\_time**.

Please ensure the module is in the tracking state before entering into periodic mode. Otherwise, the module will have a risk of failure to track the satellites. If GPS&Glonass&Galileo module is located in weak signal environment, it is better to set a longer **2nd\_run\_time** to ensure the success of re-acquisition.

The average current value can be calculated by the following formula:

$$I_{\text{periodic}} = (I_{\text{tracking}} \times T1 + I_{\text{standby/backup}} \times T2) / (T1 + T2) \quad T1: \text{Run\_time}, T2: \text{Sleep\_time}$$

### Example

PMTK225,2,3000,12000,18000,72000\*15 for periodic mode with 3s in tracking mode and 12s in standby mode.

The average current consumption is calculated below:

$$I_{\text{periodic}} = (I_{\text{tracking}} \times T1 + I_{\text{standby}} \times T2) / (T1 + T2) = (20\text{mA} \times 3\text{s} + 1\text{mA} \times 12\text{s}) / (3\text{s} + 12\text{s}) \approx 4.8 \text{ (mA)}$$

PMTK225,1,3000,12000,18000,72000\*16 for periodic mode with 3s in tracking mode and 12s in backup mode. The average current consumption is calculated below:

$$I_{\text{periodic}} = (I_{\text{tracking}} \times T1 + I_{\text{backup}} \times T2) / (T1 + T2) = (20\text{mA} \times 3\text{s} + 0.007\text{mA} \times 12\text{s}) / (3\text{s} + 12\text{s}) \approx 4.0 \text{ (mA)}$$

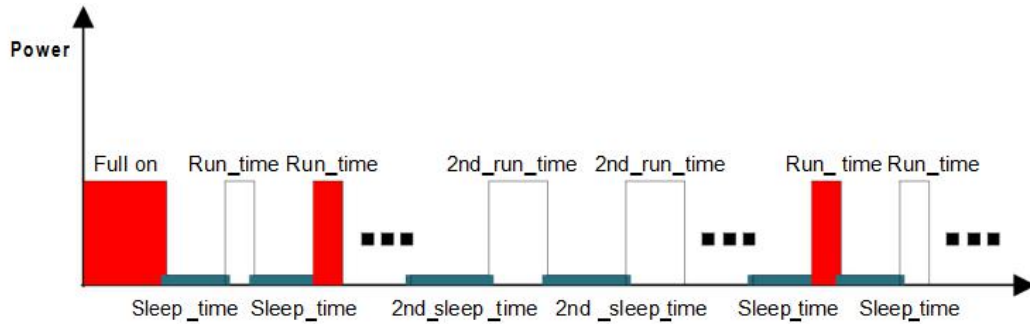


Figure 8: Periodic Mode

### 2.4.5. AlwaysLocate™ Mode

AlwaysLocate™ is an intelligent power saving mode. It contains AlwaysLocate™ backup mode and AlwaysLocate™ standby mode.

AlwaysLocate™ standby mode allows the module to switch automatically between full on mode and standby mode. According to the environmental and motion conditions, the module can adaptively adjust the full on time and standby time to achieve a balance between positioning accuracy and power consumption. Sending “\$PMTK225,8\*23” and the module returning: “\$PMTK001,225,3\*35” means the module accesses AlwaysLocate™ standby mode successfully. It will benefit power saving in this mode. Sending “\$PMTK225,0\*2B” in any time will make the module back to full on mode.

AlwaysLocate™ backup mode is similar to AlwaysLocate™ standby mode. The difference is that AlwaysLocate™ backup mode can switch between full on mode and backup mode automatically. The PMTK command to enter into AlwaysLocate™ backup mode is “\$PMTK225,9\*22”. The module can exit from AlwaysLocate™ backup mode by command “\$PMTK225,0\*2B” sent just after the module has been waked up from previous backup cycle.

The positioning accuracy in AlwaysLocate™ mode will be somewhat degraded, especially in high speed. The following picture shows the rough power consumption of GT-1612-MTGG module in different daily scenes when AlwaysLocate™ mode is enabled.

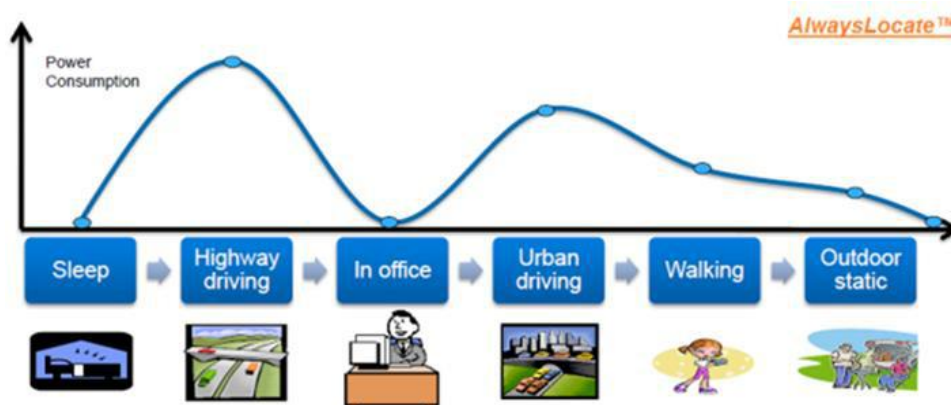


Figure 9: AlwaysLocate™ Mode

## Example

The typical average consumption is about 3.5mA in AlwaysLocate™ standby mode and 3.0mA in AlwaysLocate™ backup mode.

- ✧ Power consumption is measured under outdoor static mode with patch antenna. Using external active antenna will increase the power consumption.
- ✧ Before entering into periodic backup mode, please ensure the GPS\_EN signal is low and power supply for VBAT is alive.

### 2.4.6. FLP Mode

The Fitness Low Power (FLP) feature provides low power GPS&Glonass&Galileo solution for fitness application. FLP is a duty cycle concept to achieve low power target. It is specifically designed for walking/running/cycling applications.

FLP function is disabled by default. You can enable FLP by SDK or PMTK command. Sending “\$PMTK262,1\*29” will enable FLP function, and wait until GT-1612-MTGG module gets a valid fix. Then wait at least 60s for GT-1612-MTGG to enter FLP mode. FLP function will be disabled after sending “\$PMTK262,0\*28”.

**Table 6: Average Current for FLP Mode and Tracking Mode of GT-1612-MTGG.**

Scenario	In FLP Mode (mA)	In Tracking Mode (mA)
Static	21.3	40
Walking	20.9	40
Running	20.7	40
Driving	21.4	40

- ✧ The EASY and FLP function cannot work at the same time. When you enable FLP by SDK or PMTK command, the EASY function will be disabled automatically.
- ✧ SBAS data downloading will be influenced by FLP function. It is suggested that you should disable the SBAS while enabling FLP mode.
- ✧ The power consumption is measured in the open sky under different states of motion.
- ✧ The current is the average of multiple measurements.

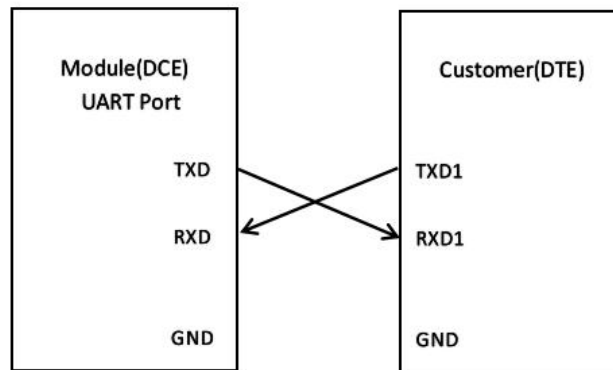
## 2.5. UART Interface

The module provides one universal asynchronous receiver& transmitter serial port. The module is designed as DCE (Data Communication Equipment), following the traditional DCE-DTE (Data Terminal Equipment) connection. The module and the client (DTE) are connected through the signals shown in the following figure. It supports data baud-rate from 4800bps to 115200bps.

### UART port:

TXD: Send data to the RXD1 signal line of DTE.

RXD: Receive data from the TXD1 signal line of DTE.



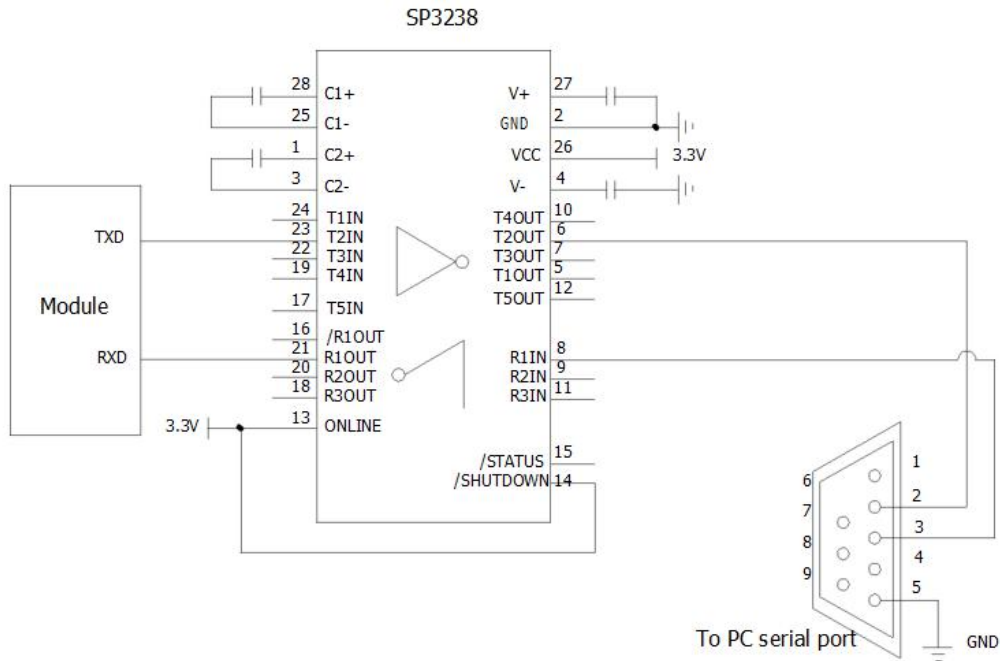
**Figure 10:** Connection of Serial Interfaces

### This UART port has the following features:

- UART port can be used for firmware upgrade, NMEA output and PMTK proprietary commands input.
- The default output NMEA type setting is RMC, VTG, GGA, GSA, GSV, GLL and GPTXT (MTK proprietary protocol).
- UART port supports the following data rates:  
4800, 9600, 14400, 19200, 38400, 57600, 115200bps.  
The default setting is 9600bps, 8 bits, no parity bit, 1 stop bit.
- Hardware flow control and synchronous operation are not supported.

The UART port does not support the RS-232 level but only CMOS level. If the module's UART port is connected to the UART port of a computer, it is necessary to add a level shift circuit between the module and the computer. Please refer to the following figure.





**Figure 11: RS-232 Level Shift Circuit**

## 2.6. EASY Technology

EASY technology works as embedded software which can accelerate TTFB by predicting satellite navigation messages from received ephemeris. The GPS&Glonass&Galileo engine will calculate and predict orbit.

information automatically up to 3 days after first receiving the broadcast ephemeris, and then save the predicted information into the internal memory. GPS&Glonass&Galileo engine will use the information for positioning if no enough information from satellites, so the function is helpful for positioning and TTFB improvement.

The EASY function can reduce TTFB to 5s in warm start. In this case, RTC domain should be valid. In order to get enough broadcast ephemeris information from GPS&Glonass&Galileo satellites, the GPS&Glonass&Galileo module should receive the information for at least 5 minutes in good signal conditions after fixing the position.

EASY function is enabled by default. Command “\$PMTK869,1,0\*34” can be used to disable EASY.

## 2.7. Multi-tone AIC

GT-1612-MTGG module provides an advanced technology called multi-tone AIC (Active Interference Cancellation) to reject RF interference which comes from other active components on the main board.

Up to 12 multi-tone AIC embedded in the module can provide effective narrow -band interference and jamming elimination. The GPS&Glonass&Galileo signal could be recovered from the jammed signal, which can ensure better navigation quality. AIC is enabled by default, closing it will save about 1mA @VCC=3.3V consumption. The following commands can be used to set AIC.

Enable AIC function: “\$PMTK 286,1\*23”.

Disable AIC function: “\$PMTK 286,0\*22”.

## 2.8. LOCUS

GT-1612-MTGG module supports the embedded logger function called LOCUS. It can log position information to the internal flash memory automatically when this function is enabled by sending PMTK command “\$PMTK183,0\*22” . Due to this function, the host can go to sleep to save power consumption and does not need to receive the NMEA information all the time. The module can provide a log capacity of more than 16 hours.

The detail procedures of this function are illustrated bellow:

- The module has fixed the position (only 3D\_fixed is available);
- Sending PMTK command “\$PMTK184,1\*22” to erase internal flash;
- Sending PMTK command “\$PMTK185,0\*22” to start log;
- Module logs the basic information (UTC time, latitude, longitude and height) every 15 seconds to internal flash memory;
- Stop logging the information by sending “\$PMTK185,1\*23”;
- Host can get the data from the module via UART by sending“\$PMTK622,1\*29”.

The raw data which host gets has to be parsed via LOCUS parser code provided by GOTOP. For more details, please contact GOTOP technical supports.

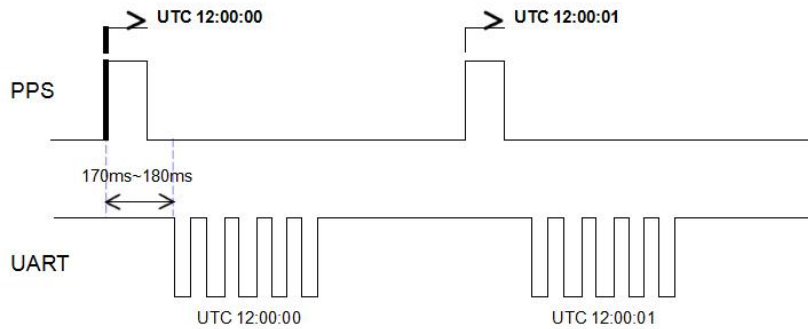
## 2.9. Antenna Supervisor

Antenna Supervisor is designed to detect different external active antenna status including external active antenna connection, open circuit for antenna and antenna short-circuited, and then notify the module. The detections and notifications of external active antenna are listed in the following table.

**Table 7: Status of the Antenna**

Status of the Antenna	EXT/Patch	NMEA Message
External Active Antenna is not Inserted	Patch	OPEN
External Active Antenna is Inserted and Worked Normally	EXT	OK
External Active Antenna is Inserted but Short-circuited	Patch	SHORT

### 2.10. PPS VS. NMEA



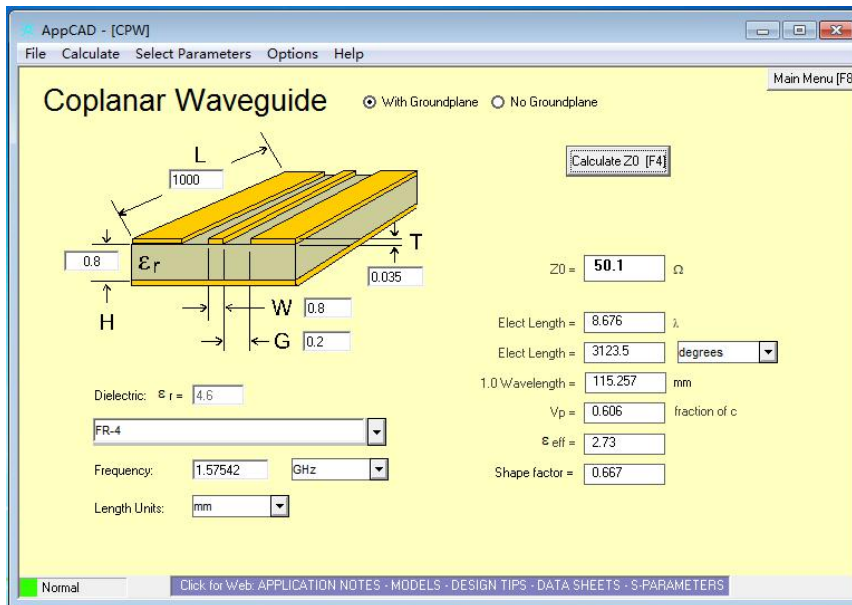
**Figure 12: PPS VS. NMEA Timing**

This feature only supports 1Hz NMEA output and baud rate at 14400~115200bps. At baud rate of 9600 and 4800bps, it only supports RMC NMEA sentence. Because at low baud rate, per second transmission may exceed one second if there are many NMEA sentences output. You can enable this function by sending “\$PMTK255,1\*2D”, and disable the function by sending “\$PMTK255,0\*2C”.

## 3 Antenna Interfaces

### 3.1. PCB Design Guide

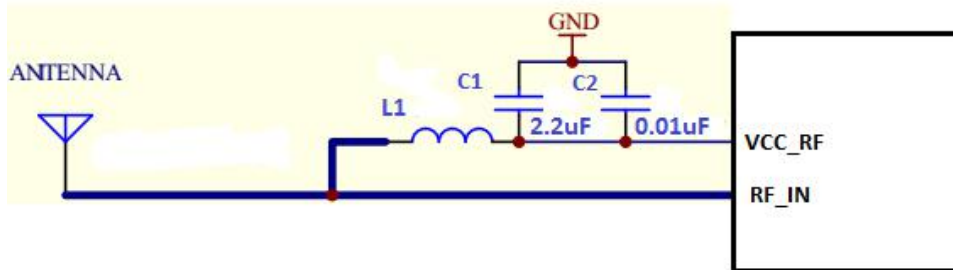
The GT-1612-MTGG GPS&Glonass&Galileo receiver is designed for supporting the active antenna or passive antenna connected with pin RF\_IN. The gain of active antenna should be no less than 15dB. The maximum noise figure should be no more than 2.5dB and output impedance is at 50 Ohm.



**Figure 13: Antenna design requirements**

### 3.2. External Active Antenna

The following figure is a typical reference design with active antenna. In this mode, DC on the VCC\_RF pin is powered by VCC and supplies power to the external active antenna.



**Figure 14:** Reference Design for Active Antenna

C1, C2, L1 is used for power supply and filtering effect to the external active antenna, RF\_IN antenna to a circuit part (BOLD line) for high frequency microstrip line, PCB in the design of this part of the line to calculate the characteristic impedance of the high-frequency line according to the principle of high frequency wiring.

- ✧ Requirements: this section of the line in the 1575.42MHz frequency characteristic impedance requirement is 50 ohm.

**Table 8: Recommended Active Antenna Specification**

Antenna Type	Specification
Active Antenna	Center frequency: 1575.42MHz Band width: >5MHZ VSWR: <2 (Typ.) Polarization: RHCP or Linear Noise figure: <1.5dB Gain (antenna): >-2dBi Gain ( embedded LNA): 20dB (Typ.) Total gain: >18dBi(Typ.)

- ✧ In order to ensure the short protection function can work effectively, please select a DC-open (DC-impedance between the SMA's inner signal needle and outside ground) GPS&Glonass&Galileo active antenna. You can measure the DC-impedance with a common and simple multimeter on few samples, and the value is generally in M ohm level.

### 3.3. Antenna Status Indicator

GT-1612-MTGG module supports automatic antenna switching function. The GPTXT sentence can be used to identify the status of external active antenna.

If *ANTSTATUS=OPEN*, it means external active antenna is not connected or has poor contact with antenna feeding point and the internal antenna is used.

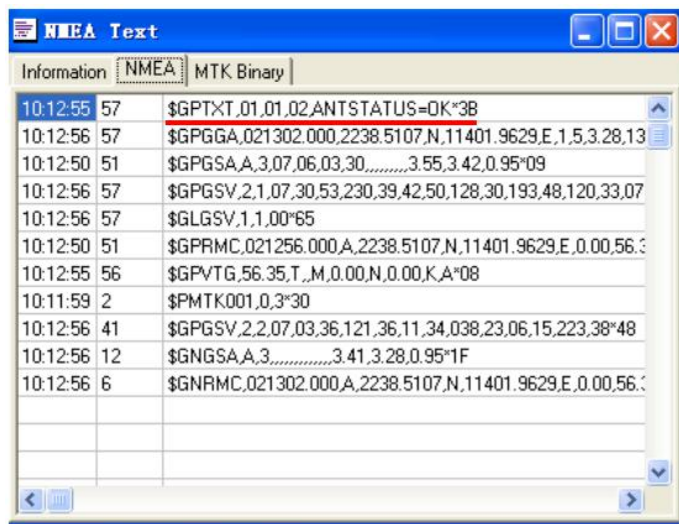
If *ANTSTATUS=OK*, it means external active antenna is connected and the module will use external active antenna.

If *ANTSTATUS=SHORT*, it means active antenna is short circuited and the internal patch antenna will be used automatically.

- ✧ When you use external active antenna and the “OPEN” is displayed in the GPTXT of NMEA sentence, you have to check the connection status of external active antenna.
- ✧ If the external active antenna is short-circuited, the “SHORT” will be displayed in the GPTXT of NMEA sentence.
- ✧ Because antenna short protection is enabled by default, GT-1612-MTGG will switch to embedded patch antenna automatically in case that external active antenna is short-circuited, which will avoid GT-1612-MTGG from damage. Meanwhile, you need to check the external active antenna.

#### Example

“OPEN” is displayed in the GPTXT sentence as below



**Figure 15: Patch Antenna Status Description in GPTXT**

**Table 9: GPTXT - Status of Antenna**

GPTXT Display	Ext Active Antenna Status	Inner Patch Antenna Status	Attention
OPEN	Unused	Working	You need to check the external active antenna status if the active antenna is using.
OK	Working	Unused	
SHORT	Short	Working	Please check the external active antenna

## 4 Electrical, Reliability and Radio Characteristics

### 4.1. Absolute Maximum Ratings

Absolute maximum ratings for power supply and voltage on digital pins of the module are listed in the following table.

**Table 10: Absolute Maximum Ratings**

values within the specified boundaries by using appropriate protection diodes.

Parameter	Min.	Max.	Unit
Power Supply Voltage (VCC)	-0.3	4.3	V
Backup Battery Voltage (VBAT)	-0.3	4.3	V
Input Voltage at Digital Pins	-0.3	3.6	V
Input Power at RF_IN		15	dBm
Storage Temperature	-45	125	°C

- ✧ Stressing the device beyond the “Absolute Maximum Ratings” may cause permanent damage. These are stress ratings only. The product is not protected against over voltage or reversed voltage. If necessary, voltage spikes exceeding the power supply voltage specification, given in table above, must be limited to values within the specified boundaries by using appropriate protection diodes.

## 4.2. Operating Conditions

**Table 11: Power Supply Ratings**

Parameter	Description	Conditions	Min.	Typ.	Max.	Unit
VCC	Supply voltage	Voltage must stay within the min/max values, including voltage drop, ripple, and spikes.	2.8	3.3	4.3	V
IVCCP	Peak supply current	VCC=3.3V			100	mA
VBAT	Backup voltage supply		1.5	3.3	4.3	V
TOPR	Normal operating temperature		-40	25	80	°C

- ✧ The figure IVCCP can be used to determine the maximum current capability of power supply.
- ✧ Operation beyond the "Operating Conditions" is not recommended and extended exposure beyond the "Operating Conditions" may affect the device's reliability.

## 4.3. Current Consumption

The values for current consumption are shown in the following table.

**Table 12: Current Consumption**

Parameter	Conditions	Min.	Typ.	Max.	Unit
Ivcc @Acquisition	VCC=VBAT=3.3V		40		mA
Ivcc @Tracking	VCC=VBAT=3.3V		35		mA
Ivcc @Standby	VCC=VBAT=3.3V		2.0		mA
Ibckp @Backup	VBAT=3.3V		15		uA

**The tracking current is tested in the following conditions:**

- ✧ In Cold Start, 10 minutes after First Fix.
- ✧ In Hot Start, 15 seconds after First Fix.

#### 4.4. Electrostatic Discharge

GT-1612-MTGG module is an ESD sensitive device. ESD protection precautions should still be emphasized. Proper ESD handling and packaging procedures must be applied throughout the processing, handling and operation of any application.

The ESD bearing capability of the module is listed in the following table. Note that you should add ESD components to module pins in particular applications.

**Table 13: ESD Endurance Table (Temperature : 25°C, Humidity: 45%)**

Pin	Contact Discharge	Air Discharge
EX_ANT	±5KV	±10KV
Patch Antenna	±5KV	±10KV
VCC	±5KV	±10KV
UART	±3KV	±6KV
Others	±2KV	±4KV

#### 4.5. Reliability Test

**Table 14: Reliability Test**

Test Item	Conditions	Standard
Thermal Shock	-30°C...+80°C, 144 cycles	GB/T 2423.22-2002 Test Na IEC 68-2-14 Na
Damp Heat, Cyclic	+55°C; >90% Rh 6 cycles for 144 hours	IEC 68-2-30 Db Test
Vibration Shock	5~20Hz, 0.96m2/s3; 20~500Hz, 0.96m2/s3-3dB/oct, 1hour/axis; no function	2423.13-1997 Test Fdb IEC 68-2-36 Fdb Test
Heat Test	85°C, 2 hours, operational	GB/T 2423.1-2001 Ab IEC 68-2-1 Test
Cold Test	-40°C, 2 hours, operational	GB/T 2423.1-2001 Ab IEC 68-2-1 Test
Heat Soak	90°C, 72 hours, non-operational	GB/T 2423.2-2001 Bb IEC 68-2-2 Test B
Cold Soak	-45°C, 72 hours, non-operational	GB/T 2423.1-2001 A IEC 68-2-1 Test



## 5 Mechanical Dimensions

This chapter describes the mechanical dimensions of the module.

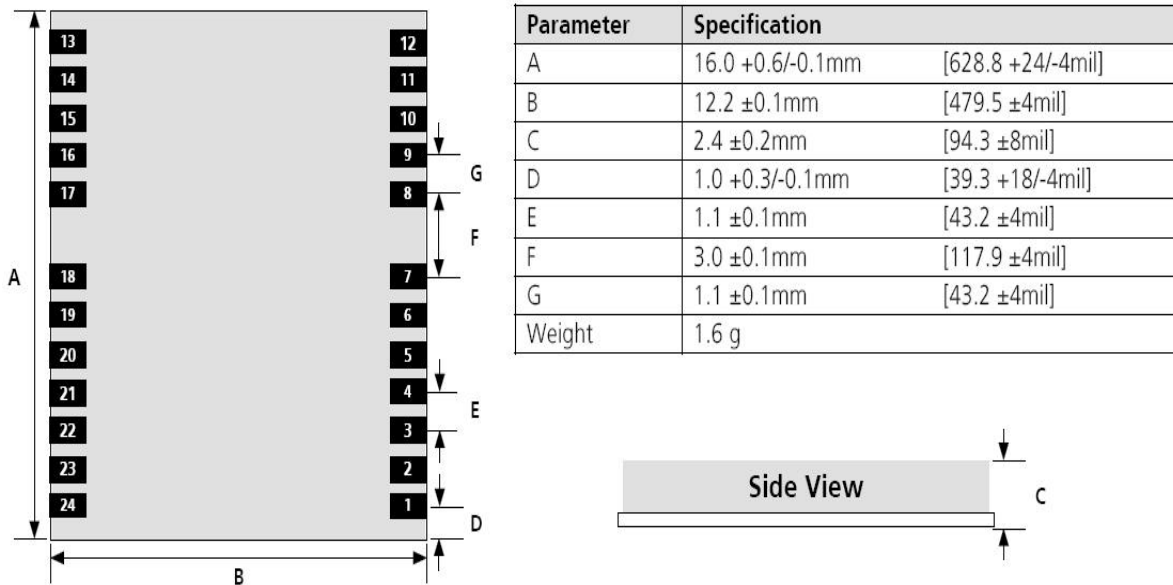
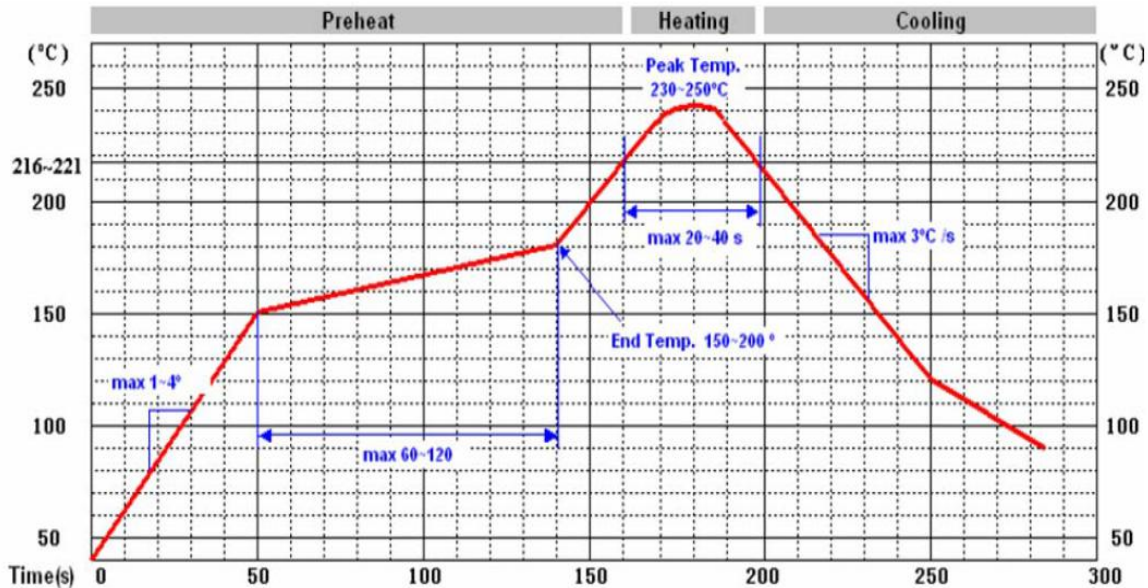


Figure 16: Top View Dimensions

## 6 Manufacturing, Packaging and Ordering Information

### 6.1. Assembly and Soldering

GT-1612-MTGG module is intended for SMT assembly and soldering in a Pb-free reflow process on the top side of the PCB. It is suggested that the minimum height of solder paste stencil is 100um to ensure sufficient solder volume. Pad openings of paste mask can be increased to ensure proper soldering and solder wetting over pads. It is suggested that the peak reflow temperature is 235~245° C (for SnAg3.0Cu0.5 alloy). The absolute maximum reflow temperature is 260° C. To avoid damage to the module when it is repeatedly heated, it is suggested that the module should be mounted after reflow soldering for the other side of PCB has been completed. Recommended reflow soldering thermal profile is shown below:



**Figure 17:** Recommended Reflow Soldering Thermal Profile

## 6.2. Moisture Sensitivity

GT-1612-MTGG module is sensitive to moisture. To prevent GT-1612-MTGG from permanent damage during reflow soldering, baking before reflow soldering is required in following cases:

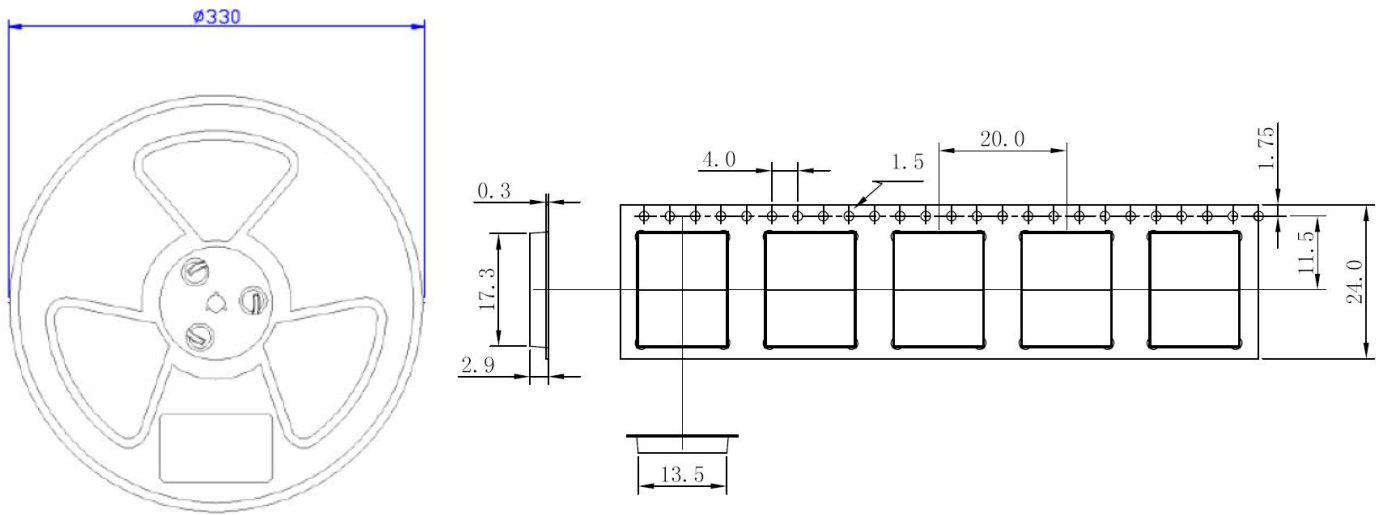
- ◇ Humidity indicator card: One or more indicating spots are no longer blue.
- ◇ The seal is opened and the module is exposed to excessive humidity.

GT-1612-MTGG should be baked for 192 hours at temperature  $40^{\circ}\text{C}+5^{\circ}\text{C}/-0^{\circ}\text{C}$  and  $<5\%$  RH in low-temperature containers, or 24 hours at temperature  $125^{\circ}\text{C}\pm 5^{\circ}\text{C}$  in high-temperature containers. Care should be taken that the plastic tape is not heat resistant. GT-1612-MTGG should be taken out from the tape before preheating; otherwise, the tape maybe damaged by high-temperature heating.

## 6.3. ESD Protection

GT-1612-MTGG module is sensitive to ESD and requires special precautions when handling. Particular care must be exercised when handling patch antenna, duo to the risk of electrostatic charges.

**6.4. Tape and Reel Packaging**



Unit: mm

Quantity per reel: 1000pcs

Length per reel: 20m

**Figure 18: Tape and Reel Specifications**



**Figure 19: Packaging physical Figure**

**Table 15: Reel Packaging**

Model Name	MOQ for MP	Minimum Package: 1000pcs
GT-1612-MTGG	1000pcs	Size: 365mm × 350mm × 53mm N.W: 1.42kg G.W: 1.6kg

## 7 Appendix References

**Table 16: Terms and Abbreviations**

Abbreviation	Description
AGNSS	Assisted Global navigation satellite system
AIC	Active Interference Cancellation
CEP	Circular Error Probable
DGPS	Differential GPS
EASY	Embedded Assist System
EGNOS	European Geostationary Navigation Overlay Service
EPO	Extended Prediction Orbit
ESD	Electrostatic Discharge
GPS	Global Positioning System
GNSS	Global Navigation Satellite System
GGA	GNSS Fix Data
GLL	Geographic Position – Latitude/Longitude
GLONASS	Global Navigation Satellite System
GSA	GNSS DOP and Active Satellites
GSV	GNSS Satellites in View
HDOP	Horizontal Dilution of Precision
I/O	Input/Output
Kbps	Kilo Bits Per Second
LNA	Low Noise Amplifier
MSAS	Multi-Functional Satellite Augmentation System
MOQ	Minimum Order Quantity
NMEA	National Marine Electronics Association
PDOP	Position Dilution of Precision
PMTK	MTK Proprietary Protocol
PPS	Pulse Per Second
PRN	Pseudo Random Noise Code
QZSS	Quasi-Zenith Satellite System
RHCP	Right Hand Circular Polarization
RMC	Recommended Minimum Specific GNSS Data
SBAS	Satellite-based Augmentation System
SAW	Surface Acoustic Wave
SPDT	Single-Pole Double-Throw
TTF	Time To First Fix

UART	Universal Asynchronous Receiver & Transmitter
VDOP	Vertical Dilution of Precision
VTG	Course over Ground and Ground Speed, Horizontal Course and Horizontal Velocity
WAAS	Wide Area Augmentation System
Inom	Nominal Current
Imax	Maximum Load Current
Vmax	Maximum Voltage Value
Vnom	Nominal Voltage Value
Vmin	Minimum Voltage Value
VIHmax	Maximum Input High Level Voltage Value
VIHmin	Minimum Input High Level Voltage Value
VILmax	Maximum Input Low Level Voltage Value
VILmin	Minimum Input Low Level Voltage Value
VImax	Absolute Maximum Input Voltage Value
Vimin	Absolute Minimum Input Voltage Value
VOHmax	Maximum Output High Level Voltage Value
VOHmin	Minimum Output High Level Voltage Value
VOLmax	Maximum Output Low Level Voltage Value
VOLmin	Minimum Output Low Level Voltage Value

## 8 NMEA 0183 Protocol

The NMEA protocol is an ASCII-based protocol, Records start with a \$ and with carriage return/line feed. GPS&Glonass&Galileo specific messages all start with \$GPxxx/\$GLxxx/\$GAXxx where \$GNxxx is a three-letter identifier of the message data that follows. NMEA messages have a check sum, which allows detection of corrupted data transfers.

### 8.1 Location mode configuration instructions

Single system or dual system positioning mode can be selected through the configuration instructions:

**Table 17: Instruction configuration instructions**

Pattern	Instructions	NMEA Out Put
GPS&Glonass&Galileo	\$PMTK353,1,1*37	GNRMC,\$GNVTG,\$GNGGA,\$GNGLL,\$GPGSA,\$GLGSA,\$GAGSA,\$GPGSV,\$GLGSV,\$GAGSV

- ◇ The Gotop GT-1612-MTGG Initialization location mode for GPS&Glonass&Galileo dual mode,  
Output data: GNRMC,\$GNVTG,\$GNGGA,\$GNGLL,\$GPGSA,\$GLGSA,\$GAGSA,\$GPGSV,\$GLGSV,\$GAGSV

## 8.2 NMEA-0183 data Detailed field

### 8.2.1 GGA-Global Positioning System Fixed Data

\$xxGGA, 161229.487,3723.2475,N, 12158.3416,W, 1,07,1.0,9.0,M,0000\*18

**Table 18: GGA Data Format**

Name	Example	Units	Description
Message ID	\$xxGGA		GGA protocol header
UTC Position	161229.487		hhmmss.sss
Latitude	3723.2457		ddmm.mmmm
N/S indicator	N		N=north or S=south
Longitude	12158.3416		dddmm.mmmm
E/W Indicator	W		E=east or W=west
Position Fix Indicator	1		See Table 18-1
Satellites Used	07		Range 0 to 12
HDOP	1.0		Horizontal Dilution of Precision
MSL Altitude	9.0	meters	
Units	M	meters	
Geoids Separation		meters	
Units	M	meters	
Age of Diff.Corr.		second	Null fields when DGPS is not Used
Diff.Ref.Station ID	0000		
Check sum	*18		
<CR> <LF>			End of message termination

**Table 18-1: Position Fix Indicators**

Value	Description
0	Fix not available or invalid
1	GPS&Glonass&Galileo SPS Mode, fix valid
2	Differential GPS&Glonass&Galileo, SPS Mode, fix valid
3	GPS&Glonass&Galileo PPS Mode, fix valid

### 8.2.2 GLL-Geographic Position - Latitude/Longitude

\$xxGLL , 3723.2475, N,12158.3416, W,161229.487, A\*2C.

**Table 19: GLL Data Format**

Name	Example	Units	Description
Message ID	\$xxGLL		GLL protocol header
Latitude	3723.2475		ddmm.mmmm
N/S Indicator	N		N=north or S=south
Longitude	12158.3416		dddmm.mmmm
E/W Indicator	W		E=east or W=west
UTC Position	161229.487		hhmmss.sss
Status	A		A=data valid or V=data not valid
Check sum	*2C		
<CR> <LF>			End of message termination

### 8.2.3 GSA-GNSS DOP and Active Satellites

\$xxGSA , A, 3, 07, 02, 26,27, 09, 04,15, , , , , , 1.8,1.0,1.5\*33.

**Table 20: GSA Data Format**

Name	Example	Units	Description
Message	\$xxGSA		GSA protocol header
Mode 1	A		See Table 20-2
Mode 2	3		See Table 20-1
Satellite Used	07		Sv on Channel 1
Satellite Used	02		Sv on Channel 2
...	...		...
Satellite Used			Sv on Channel 66
PDOP	1.8		Position Dilution of Precision
HDOP	1.0		Horizontal Dilution of Precision
VDOP	1.5		Vertical Dilution of Precision
Check sum	*33		
<CR> <LF>			End of message termination

**Table 20-1: Mode 1**

Value	Description
1	Fix not available
2	2D
3	3D



**Table 20-2: Mode 2**

Value	Description
M	Manual-forced to operate in 2D or 3D mode
A	Automatic-allowed to automatically switch 2D/3D

### 8.2.4 GSV-GNSS Satellites in View

\$xxGSV , 2, 1, 07, 07, 79,048, 42, 02, 51,062, 43, 26, 36,256, 42, 27, 27, 138,42\*71

\$xxGSV, 2, 2, 07, 09, 23,313, 42, 04, 19, 159, 41, 15,12,041, 42\*41.

**Table 21: GSV Data Format**

Name	Example	Units	Description
Message ID	\$xxGSV		GSV protocol header
Number of Message	2		Range 1 to 3
Message Number	1		Range 1 to 3
Satellites in View	07		
Satellite ID	07		Channel 1(Range 1 to 66)
Elevation	79	degrees	Channel 1(Maximum 90)
Azinmuth	048	degrees	Channel 1(True, Range 0 to 359)
SNR(C/NO)	42	dBHz	Range 0 to 99,null when not tracking
...			...
Satellite ID	27		Channel 4(Range 1 to 66)
Elevation	27	degrees	Channel 4(Maximum 90)
Azimuth	138	degrees	Channel 4(True, Range 0 to 359)
SNR(C/NO)	42	dBHz	Range 0 to 99, null when not tracking
Check sum	*71		
<CR> <LF>			End of message termination

✧ Depending on the number of satellites tracked multiple messages of GSV data may be required.

### 8.2.5 RMC-Recommended Minimum Specific GNSS Data

\$xxRMC, 161229.487, A, 3723.2475, N, 12158.3416, W, 0.13,309.62, 120598,, \*10

**Table 22: RMC Data Format**

Name	Example	Units	Description
Message ID	\$xxRMC		RMC protocol header
UTS Position	161229.487		hhmmss.sss
Status	A		A=data valid or V=data not valid
Latitude	3723.2475		ddmm.mmmm



N/S Indicator	N		N=north or S=south
Longitude	12158.3416		dddmm.mmmm
E/W Indicator	W		E=east or W=west
Speed Over Ground	0.13	Knots	
Course Over	309.62	Degrees	True
Ground			
Date	120598		Dummy
Magnetic variation		Degrees	E=east or W=west
Check sum	*10		
<CR> <LF>			End of message termination

### 8.2.6 VTG-Course Over Ground and Ground Speed

\$xxVTG, 309.62, T, M, 0.13, N, 0.2, K\*6E

**Table23: VTG Data Format**

Name	Example	Units	Description
Message ID	\$xxVTG		VTG protocol header
Course	309.62	Degrees	Measured heading
Reference	T		True
Course		Degrees	Measured heading
Reference	M		Magnetic
Speed	0.13	Knots	Measured horizontal speed
Units	N		Knots
Speed	0.2	Km/hr	Measured horizontal speed
Units	K		Kilometer per hour
Check sum	*6E		
<CR> <LF>			End of message termination

**©Copyright 2020 Gotop Technology Co., Ltd. All Right Reserved**

**The information contained herein is subject to change without notice.**

**Gotop Technology Co. , LTD**

Add:AreaC,4th layer,A1 building,QingHu Silicon Valley Power,LongHua district ,Shenzhen ,China

Phone: 86-755-23804156

fax: 86-755-23804155

N 22° 32' 17", E 114° 07' 07"

<http://www.gotop-zzu.com>

Not to be reproduced in whole or part for any purpose without written permission of Gotop Technology Inc ('Gotop'). Information provided by Gotop is believed to be accurate and reliable. These materials are provided by Gotop as a service to its customers and may be used for informational purposes only. Gotop assumes no responsibility for errors or omissions in these materials, nor for its use. Gotop reserves the right to change specification at any time without notice.

These materials are provides 'as is' without warranty of any kind, either expressed or implied, relating to sale and/or use of Gotop products including liability or warranties relating to fitness for a particular purpose, consequential or incidental damages, merchantability, or infringement of any patent, copyright or other intellectual property right. Gotop further does not warrant the accuracy or completeness of the information, text, graphics or other items contained within these materials. Gotop shall not be liable for any special, indirect, incidental, or consequential damages, including without limitation, lost revenues or lost profits, which may result from the use of these materials.

Gotop products are not intended for use in medical, life-support devices, or applications involving potential risk of death, personal injury, or severe property damage in case of failure of the product.